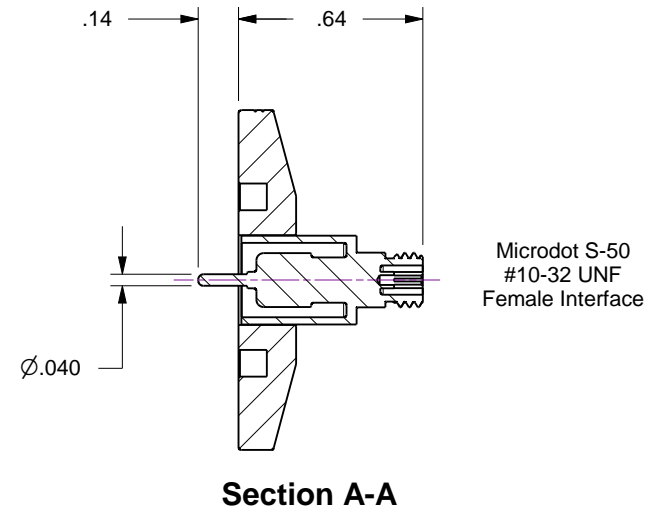
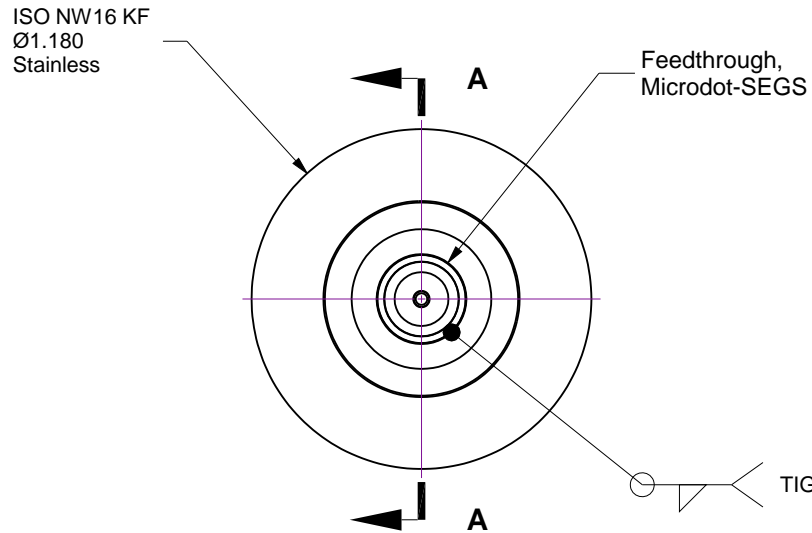
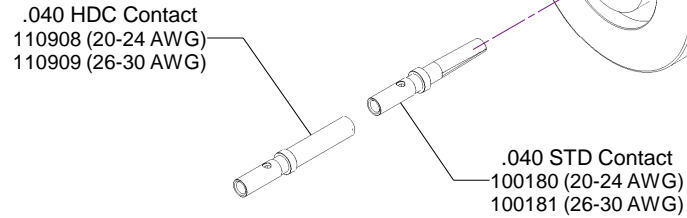


Notes

- 1. Grounded, Single-Ended Microdot S-50 to .040 Diameter Pin on ISO NW16 KF Flange
- 2. Vacuum-Side standard and high-duty cycle female contacts are available (sold separately)
- 3. UHV 19 and 39 Inch cables with S-50 male connectors, 112783 / 112784 respectively (sold separately)
- 4. Leak tested to 5x10E-10 Standard cc/sec of He
- 5. Custom solutions available on request

Rev.	Description	Date	Made By	Approval
A	Initial Release			



Accu-Glass Products Inc.
 25047 Anza Drive
 Valencia, CA 91355
 T 818-365-4215
 F 818-365-7074
 www.accuglassproducts.com

UNCONTROLLED WEB DRAWING

Proprietary and Confidential
 The information contained in this drawing is the sole property of Accu-Glass, Products Inc. Any reproduction, in part or as whole, without the written permission of Accu-Glass Products, Inc., is strictly prohibited.

Material See Individual Components	
Tolerances, unless otherwise specified	
.X ± .030	Angles ± 0.5°
.XX ± .010	Finish 63Ra
.XXX ± .005	

Title MD-SEGS-K16			
Drawn by Date	Farrell 12/18/2014	No. 113115	Rev. A
Approved			Sheet