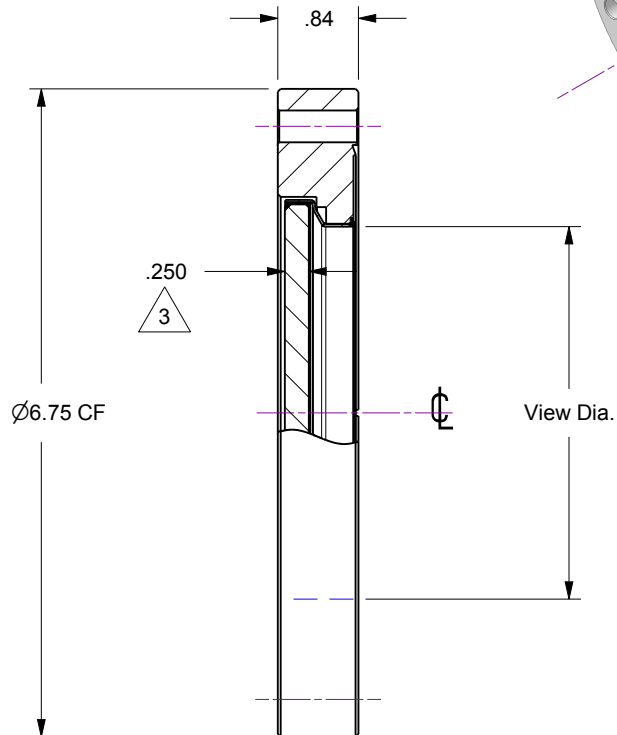
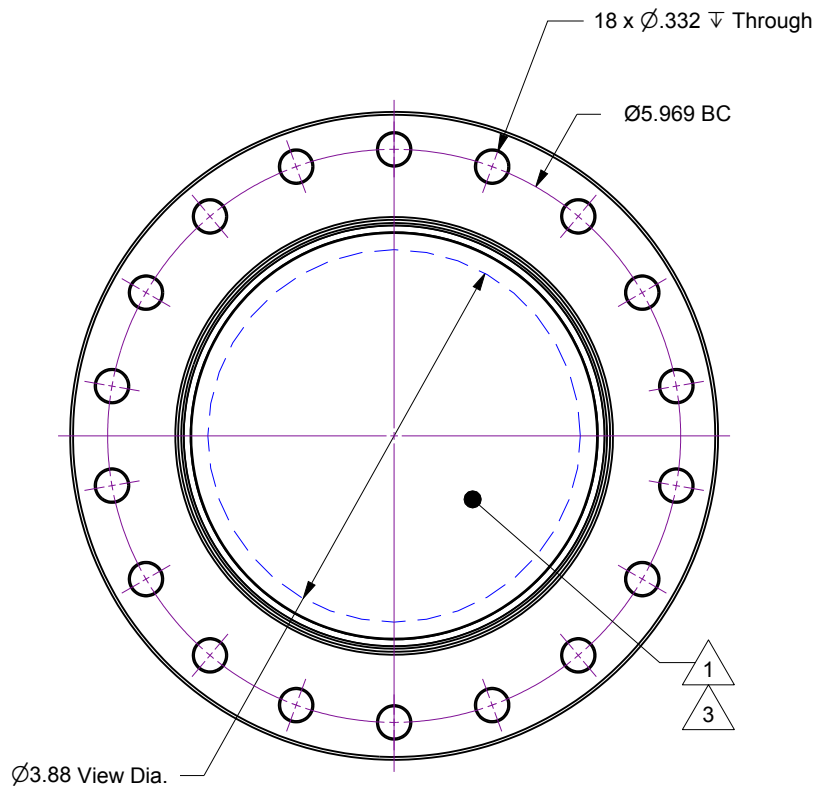
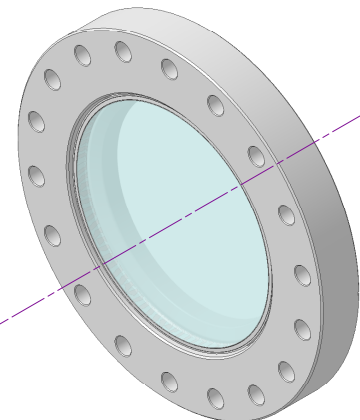


Notes

- 1. Corning HPFS 7980 Fused Silica (or equivalent)
- 2. Transmitted Wavefront Distortion, TWD @ 632nm (peak-to-valley)... see table
- 3. Range, Parallelism, Surface Finish, Homogeneity, and Inclusion specifications... see table
- 4. -100 to +200°C (10°C / Minute maximum thermal gradient)
- 5. Leak test to 5x10E-10 Standard cc/sec of He

Rev	Description	Date
A	Initial Release	5/2/2022



Part No.	Range	TWD	Paralellism	Surface Finish	Homogeneity	Inclusion
	-	λ	arcseconds	Scratch / Dig	Grade	Class
112633	UV	< 10	<1800	40 / 20	F	2
-	DUV	< 1/4	<10	20 / 10	A	0



Accu-Glass Products Inc.
 25047 Anza Drive
 Valencia, CA 91355
 T 818-365-4215
 F 818-365-7074
 www.accuglassproducts.com

UNCONTROLLED WEB DRAWING

Proprietary and Confidential
 The information contained in this drawing is the sole property of Accu-Glass, Products Inc. Any reproduction, in part or as whole, without the written permission of Accu-Glass Products, Inc., is strictly prohibited.

Material 304 Ss, Pb-Ag Alloy, SiO ₂	
Tolerances, unless otherwise specified	
.X ± .030	Angles ± 0.5°
.XX ± .010	Finish 63Ra
.XXX ± .005	

Title Fused Silica Viewport, 4 View Dia.			
Drawn by Date	Ligeti 5/2/2022	No. 112633	Rev. A
Approved			Sheet