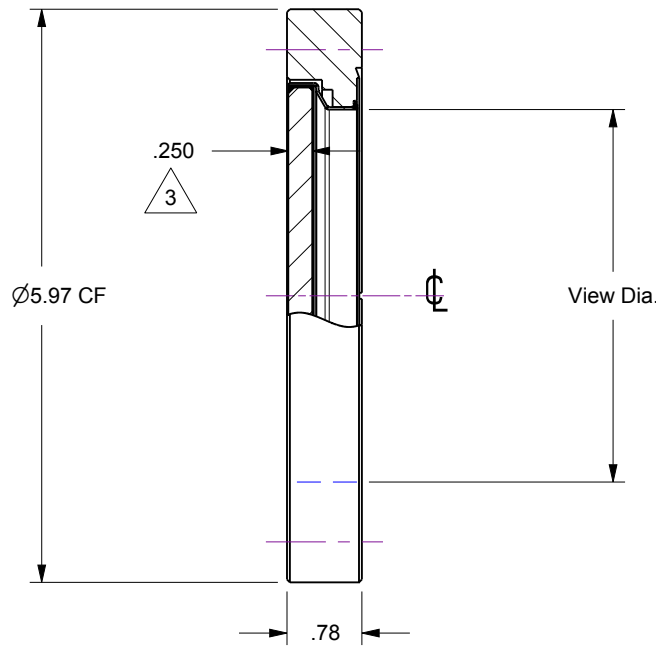
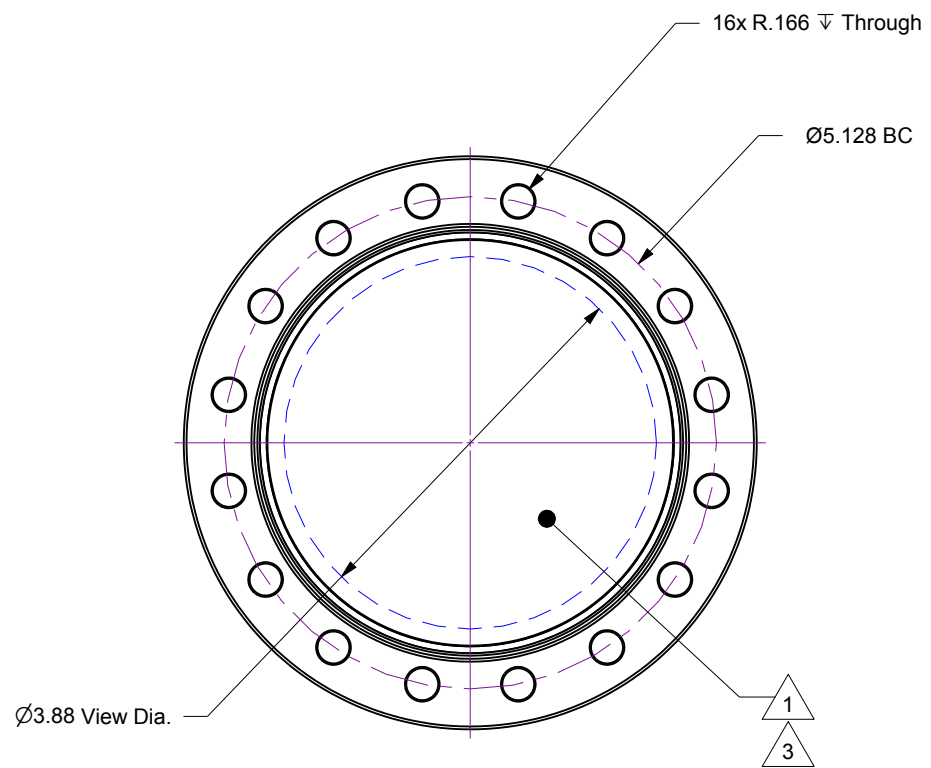
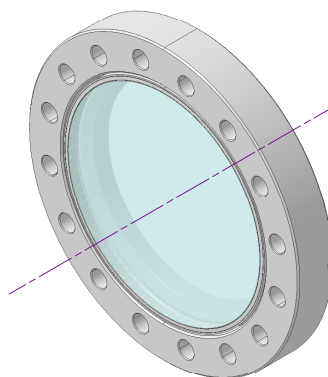


Notes

- 1. Corning HPFS 7980 Fused Silica (or equivalent)
- 2. Transmitted Wavefront Distortion, TWD @ 632nm (peak-to-valley)... see table
- 3. Range, Parallelism, Surface Finish, Homogeneity, and Inclusion specifications... see table
- 4. -100 to +200°C (10°C / Minute maximum thermal gradient)
- 5. Leak test to 5x10E-10 Standard cc/sec of He

| Rev | Description | Date |
|-----|-----------------|----------|
| A | Initial Release | 5/2/2022 |



| Part No. | Range | TWD | Paralellism | Surface Finish | Homogeneity | Inclusion |
|---------------|-------|-----------|-------------|----------------|-------------|-----------|
| | - | λ | arcseconds | Scratch / Dig | Grade | Class |
| 112625 | UV | < 10 | <1800 | 40 / 20 | F | 2 |
| - | DUV | < 1/4 | <10 | 20 / 10 | A | 0 |



Accu-Glass Products Inc.
 25047 Anza Drive
 Valencia, CA 91355
 T 818-365-4215
 F 818-365-7074
 www.accuglassproducts.com

UNCONTROLLED WEB DRAWING

Proprietary and Confidential
 The information contained in this drawing is the sole property of Accu-Glass, Products Inc. Any reproduction, in part or as whole, without the written permission of Accu-Glass Products, Inc., is strictly prohibited.

| | | | | | |
|---|---------------|--|------------------|---------------|----------|
| Material 304 Ss, Pb-Ag Alloy, SiO ₂ | | Title Fused Silica Viewport, 4 View Dia. | | | |
| Tolerances, unless otherwise specified | | Drawn by Ligeti | Date 5/2/2022 | No. | Rev. |
| .X ± .030 | Angles ± 0.5° | No. | | 112625 | A |
| .XX ± .010 | Finish 63Ra | Approved | | Sheet | |
| .XXX ± .005 | | | | | |

A

B

C

D