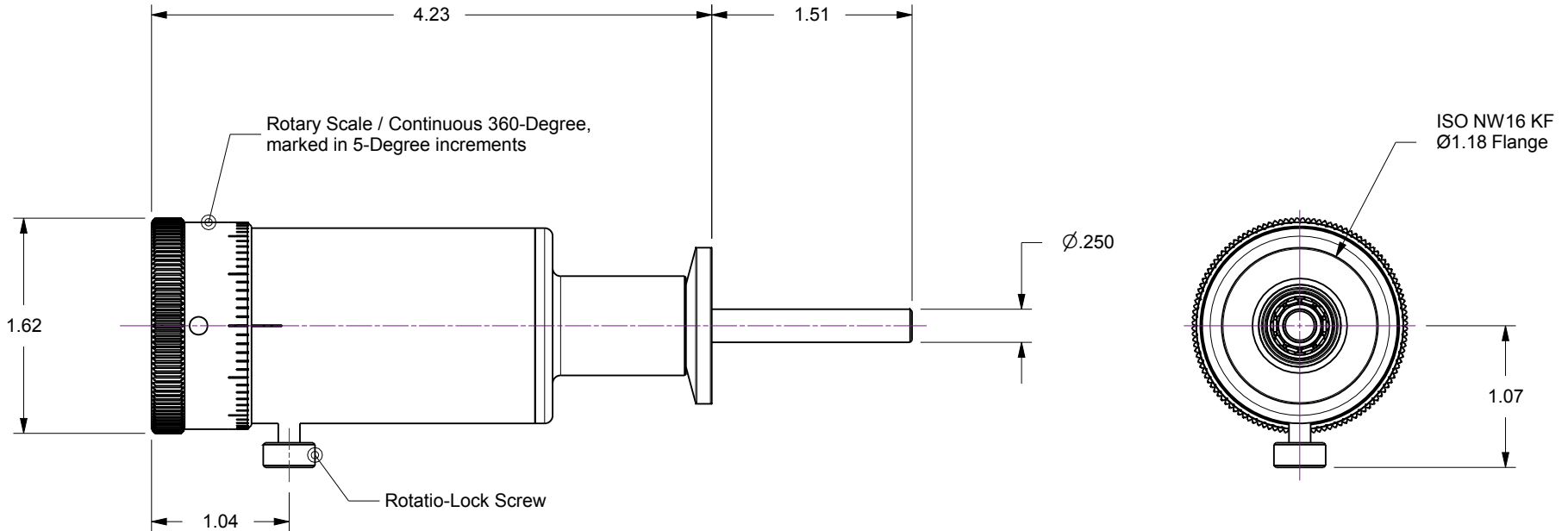
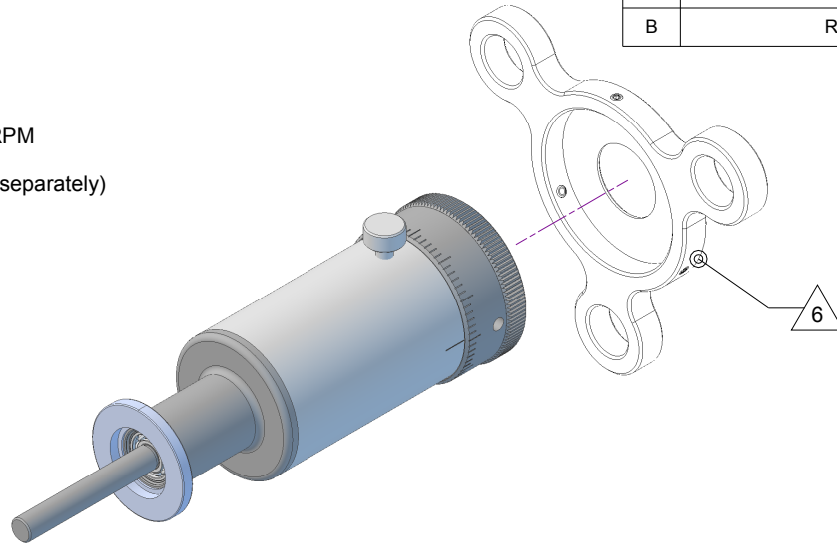


Notes

- 1. HTR-K16... 360-Degree Rotary Feedthrough w/Manual Actuator
- 2. Welded bellows sealead air-to-vacuum interface
- 3. Leak test to 5x10E-10 Standard cc/sec of He
- 4. Maximum Load : 6lb Axial, 10lb Lateral, 250 oz-in Torque, 1,000 RPM
- 5. Resolution : Rotary scale is 5-Degrees
- 6. Optional 'Speed-Handle' part number 113086 also available (sold separately)

Rev.	Description	Date	Made By	Approval
B	Remodeled	4/18/2019	AL	



Accu-Glass Products Inc.
 25047 Anza Drive
 Valencia, CA 91355
 T 818-365-4215
 F 818-365-7074
 www.accuglassproducts.com

UNCONTROLLED WEB DRAWING

Proprietary and Confidential
 The information contained in this drawing is the sole property of Accu-Glass, Products Inc. Any reproduction, in part or as whole, without the written permission of Accu-Glass Products, Inc., is strictly prohibited.

Material
 See Individual Components

Tolerances,
 unless otherwise specified

.X ± .030	Angles ± 0.5° Finish 63Ra
.XX ± .010	
.XXX ± .005	

Title			
HTR-K16			
Drawn by	Ligeti	No.	Rev.
Date	4/18/2019	102140	B
Approved		Sheet	