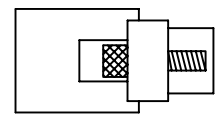
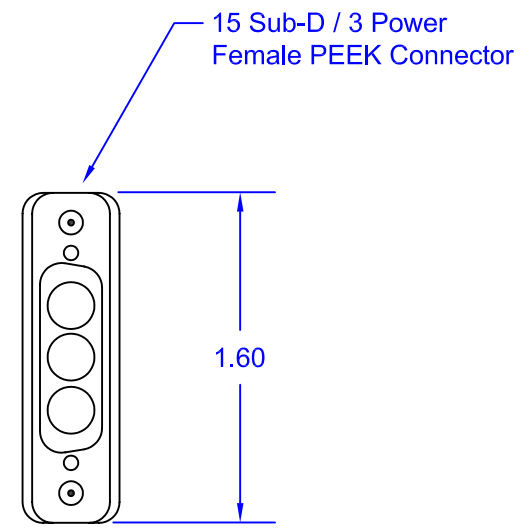
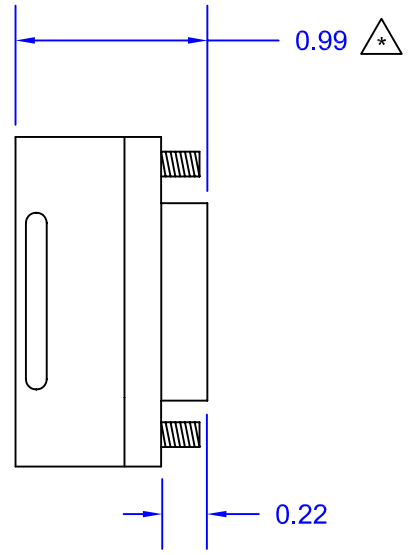
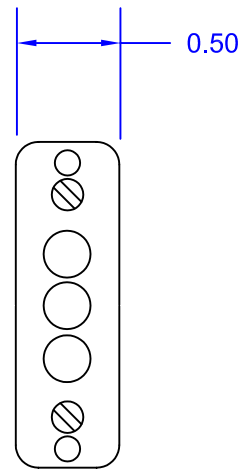


REVISIONS			
REV	DESCRIPTION	DATE	APPROVED

⚠ Old part has a length of 0.750 and will be shipped until the current inventory is depleted.



Special Notes :
Connectors do not include contacts and must be purchased separately.



Accu-Glass Products Inc.
25047 Anza Drive
Valencia, CA 91355
TEL 818-365-4215
FAX 818-365-7074
accuglassproducts.com

Notes :

*** UNCONTROLLED WEB COPY ***

Material		Title	
Tolerances unless otherwise specified		15D-3P-PKS Female Socket UHV Connector	
Decimal	Angular	Drawn By	Date
.xx= +/- .005	+/- 1°	M.Wilson	8-16-07
.xxx= +/- .002		DWG NO.	Cage Code
		101009	: 4HCQ8
Approved		PDFE	